



## surgical patient transfer system

Client:  **ESCHMANN**

- Mechanical system design
- Product simulation - 3D CAD
- Machined sketch models
- User-centred operation
- Risk analysis

### Brief:

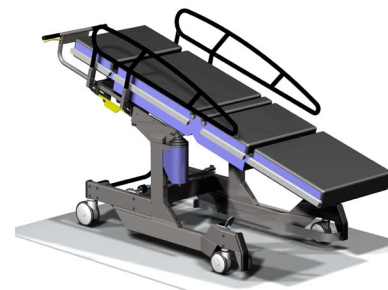
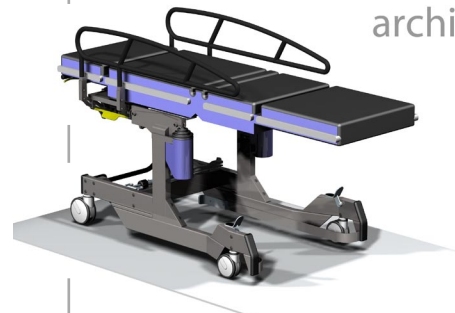
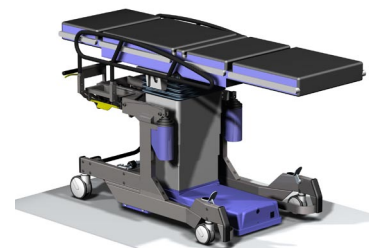
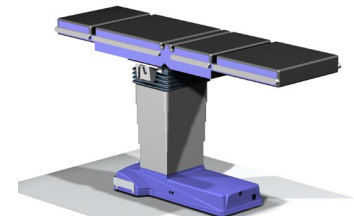
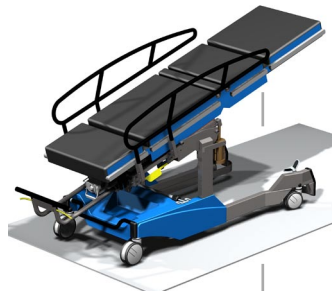
Eschmann are a leading supplier of high quality operating tables and surgical trollies. They approached SA about designing the transfer mechanism, which interfaces with their latest range of surgical tables and pedestals

### Solution:

SA's solution proposed a locking interface, which ensured the 'bed' was always locked to either the trolley or the pedestal. This provided a greater level of safety to the design. The system also allowed for the minimum of handling during change over and the ability to perform a 15 degree Trendelenberg movement.

### Result:

The design scheme was adopted by Eschmann, who continued the development of the system and integration with their latest range of surgical trollies and pedestals.



**design studio**  
product design  
architecture